

SM12x Smart I²C GMR Magnetometer Evaluation Board



Summary

The AG952/AG962 Evaluation Board provides an easy-to-use interface for SM12x-10E Smart Magnetometers. The evaluation kit includes:

- USB-powered Evaluation Board with:
 - an SM124-10E (1 mT) or SM125-10E (4 mT) GMR Magnetometer sensor
 - a microcontroller connected to the sensor via I²C
 - a regulated 3.3 volt supply to power the sensor
 - a current-carrying trace under the sensor for evaluating as a current sensor
- A small ceramic magnet for evaluating as a proximity sensor
- USB cable to connect the Evaluation Board to a computer
- Single-click install user interface software on a USB stick
- A disk magnet

Ihr Vertriebspartner:

HY-LINE
hy-line.de
LEADER IN TECHNOLOGY.

HY-LINE Power Components
Vertriebs GmbH
Inselkammerstr. 10
D-82008 Unterhaching
☎ +49 89/ 614 503 -10
power@hy-line.de

HY-LINE AG
Hochstrasse 355
CH-8200 Schaffhausen
☎ +41 52 647 42 00
info@hy-line.ch

Contents

1. Overview
2. Quick Start
3. The Evaluation Board
4. Magnets and Magnetic Operation
5. Current Sensing
6. User Interface Installation
7. User Interface Operation
 - 7.1. Main
 - 7.2. Calibration
 - 7.3. Calibration Memory
8. In Case of Difficulty
9. Revision History

1. Overview

This Evaluation Kit Includes:

- An evaluation board including:
 - An SM124-10E or SM125-10E Smart Magnetometer
 - A microcontroller
 - A USB computer interface
- Easy to install Windows-compatible user interface software via a GitHub repository
- A disk magnet.
- USB to mini-B cable

SM12x-10E Features:

- Sensitivity to detect magnets more than 50 mm away
- Slick single-byte communication interface
- I²C and digital threshold outputs
- In-plane sensitivity more usable than Hall effect sensors
- Programmable offset and gain correction
- Single-byte addresses and parameters to simplify firmware development
- Two hardware selectable I²C addresses
- Internal temperature compensation
- Optional magnet temperature calibration
- 2.2 to 3.6 V supply
- 3.3 or 5 V compatible I²C interface
- Ultraminiature 2.5 x 2.5 x 0.8 mm TDFN6 package

SM12x-10E Key Specifications:

- 0 to 1 mT (SM124) or 0 to 4 mT (SM125) range
- High accuracy (5% over 0 to 85 °C)
- 8 bit (<1%) output resolution
- 10 kSps sample rate for fast response
- Full –40 °C to 125 °C operating temperature range
- 6 mA typical supply current for low power

2. Quick Start

2.1. Connect the Evaluation Board to a computer via the USB cable.

2.2. Apply a magnetic field with the disk magnet included in the kit and verify that the LED turns on:

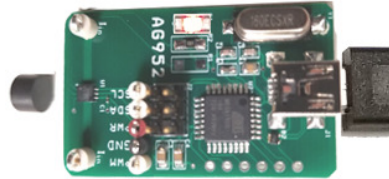


Figure 1. Activating the sensor with a disk magnet.

2.2. Install the software on a Windows PC from the USB stick provided.

2.3. Connect the board to the PC with the USB cable.

2.4. Launch the application.

2.5. The user interface will show the applied field, which can be changed by moving the magnet relative to the sensor.

3. The Evaluation Board

3.1 Board Layout

The evaluation board communicates with a host computer via USB and a Smart Magnetometer via I²C:

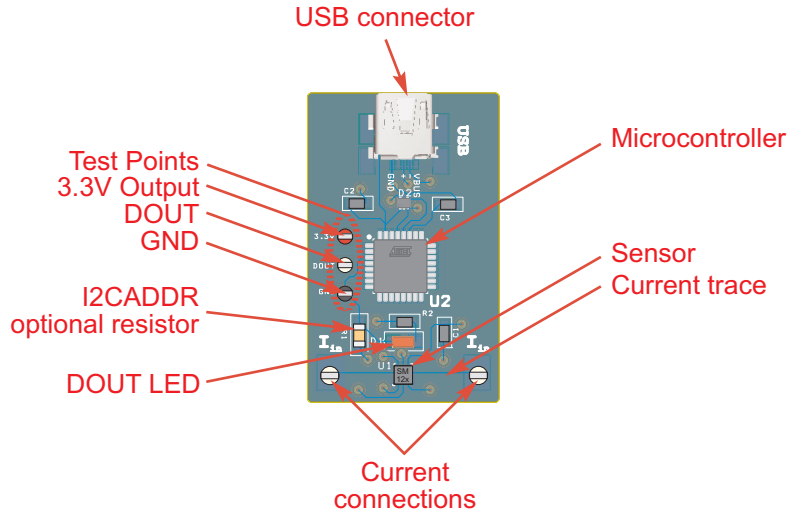


Figure 2. The Evaluation Board (actual size).

Part Number	Designator	Manufacturer	Qty	Description
SM124-10E	U1	NVE	1	SMART GMR I2C MAGNETOMETER SENSOR, 1 mT
ATMEGA16U2-AU	U2	Microchip Technology	1	IC MCU 8BIT 16KB FLASH 32TQFP
APT3216LSECK/J3-PRV	D1	Kingbright	1	LED RED CLEAR 1206 SMD
	R1	Generic	1	0-OHM JUMPER (DNP) 1206
	R2	Generic	1	RES 1K OHM 1% 1/4W 0805
	R3	Generic	1	RES 1M OHM 1% 1/10W 0603
TPD2E001DRLR	D2	Texas Instruments	1	TVS DIODE 5.5V SO T5
GRM033C71C104KE14D	C1	Murata Electronics	1	CAP CER 0.1UF 16V X7S 125C 0201
LMK212AB7106MG-T	C2, C4	Taiyo Yuden	1	CAP CER 10UF 10V X7R 125C 0805
GRM21BR71C105KA01L	C3	Murata Electronics North Ame	1	CAP CER 1UF 16V X7R 0805
CL10C200JB8NNNC	C5, C6	Samsung Electro-Mechanics	2	CAP CER 20PF 50V C0G/NP0 0603
ECS-160-20-5PX-TR	Y1	ECS Inc.	1	CRYSTAL 16.0000MHZ 2 0PF SMD
690-005-299-043	J1	EDAC Inc.	1	CONN MINI USB RCPT RA TY PE B SMD
500x	3.3V, GND, DOUT	Keystone Electronics	3	TEST POINT PC MINI .040"D
5007	Iin	Keystone Electronics	2	TEST POINT PC COMPACT .063"D WHT
Package-Level Components				
12216	N/A	NVE	1	6 MM DIA. X 4 MM THICK DISK MAGNET
N/A	N/A	NVE	1	NVE-branded USB stick with PC install file
N/A	N/A	Generic	1	3ft FLAT USB 2.0 480Mbps Type A Male to Mini-B/5-Pin Male Cable

3.2 Schematic

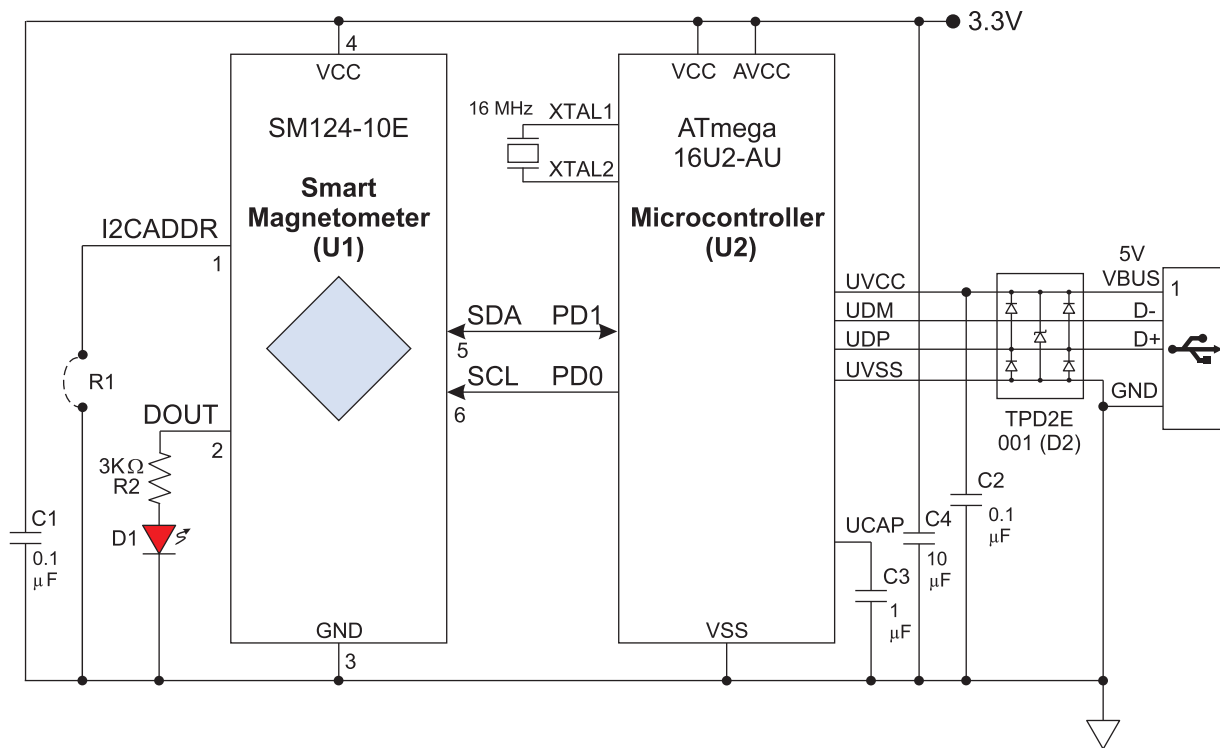


Figure 3. Evaluation Board Schematic.

3.3 Circuit Description

The Sensor

The SM12x (U1) is a six-pin component, with power (VDD and GND); I²C (SCL and SDA), the DOUT digital threshold output, and the I2CADDR pin to set the part's slave address.

Microcontroller

The SM12x is compatible with any microcontroller. This evaluation board uses a popular ATMEGA16U2 8-bit microcontroller (U2), which has integrated I²C and USB interfaces. The microcontroller also has an internal 3.3-volt regulator, which is used to power the sensor.

I²C

I²C links the sensor and microcontroller. The SM12x is an I²C Slave, and the microcontroller is configured as the Master. The sensor's I²C interface is compatible with 3.3 or five-volt microcontrollers. The evaluation board uses five volts (from the USB port) for the microcontroller and 3.3 volts for the sensor.

Setting the I²C Address

By default, the I2CADDR line is left unconnected (R1 unpopulated) and the default I²C address is then 72 dec (48 hex). Installing a jumper (R1) to ground changes the sensor's I²C to 16 dec (10 hex).

Jumpers / Connector

Connector J2 allows normal operation by jumpering the sensor (U1) to the microcontroller (U2), or without jumpers the Connector can be used to provide direct access to the Sensor.

PWM Analog Output

A PWM output from the microcontroller tracks the field magnitude measured by the sensor, and can be connected to a multimeter or data acquisition system. The output is referenced to board ground and ratiometric with the 3.3 V regulated supply. It is scaled for maximum output (3.3 V) at 150% of the linear range of 1 mT for the SM124 and 4 mT for the SM125 so, for example, the SM124 output is 2.2 V / mT or 0.22 V / Oe. PWM resolution is eight bits over 3.3 V, or about one part in 170 over the sensor's linear range. The PWM output is generated by the microcontroller, not directly by the sensor.

USB

The microcontroller has an integrated USB UART. A Transient Voltage Suppressor (D2) protects the microcontroller.

Current-Sensing Trace

The board has a current trace under the sensor IC (I_{in} connections) for evaluating the magnetometer as a current sensor. The trace is 0.05 inches (1.3 mm) wide and one-ounce copper, and can carry up to seven amps continuously with a safe temperature rise, or up to 10 amps typically for a few minutes.

Since the sensor is omnipolar, it provides a positive output regardless of current polarity, and therefore provides a "full-wave rectified" output for AC currents.

Fields generated by clip leads can affect the sensor, so for precise measurements the lead positioning should be fixed, and ideally at right angles to the trace to minimize their effect on the sensor.

LED

Red LED D1 shows when the digital output (DOUT) is activated. A resistor (R2) sets the LED brightness.

Crystal

A crystal (Y1) provides the microcontroller time base as required for the USB interface. The sensor SPI interface operates over an extremely wide clock frequency, so crystal control is not required for the sensor itself.

Decoupling Capacitors

The board has a small (0201 / 0603 metric) 0.1 μF ceramic capacitor (C1) close to the sensor and a 10 μF capacitor (C3) a few millimeters away so it does not magnetically interfere with the sensor. The small capacitor is used because it contains very little ferromagnetic material.

There are also a 1 μF decoupling capacitor (C4) near the microcontroller and a 10 μF decoupling capacitor (C2) for the 5 V USB bus supply, both as recommended by the microcontroller manufacturer.

Operating Temperature

The sensor is rated for the full -40 to 125 $^{\circ}\text{C}$ temperature range, but not all of the board components are rated for the full temperature range. Therefore the board is not recommended for environmental testing. Breakout boards are offered with the sensor and high-temperature bypass capacitors for such testing.

4. Magnets and Magnetic Operation

The Evaluation Kit includes a popular ferrite disk magnet. The magnetic field from the magnet at the center of the sensor is shown in this graph:

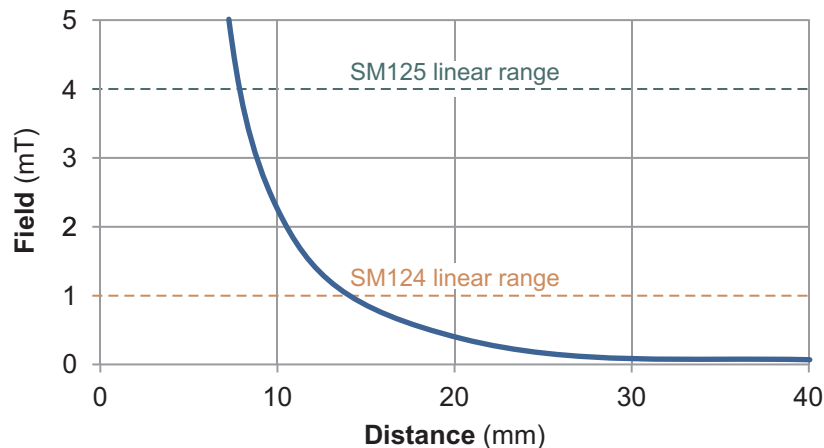


Figure 4. Magnetic field from the 6 mm dia. x 4 mm thick ferrite magnet (referenced to the center of the sensor).

Larger and stronger magnets allow farther operate and release distances. For more calculations, use our axial disc magnetic field versus distance Web application at:

www.nve.com/spec/calculators.php#tabs-Axial-Disc-Magnet-Field.

4.1 Magnetic Thresholds

The default magnetic threshold is 10 Oe, and common thresholds are 4 to 10 Oe. Thresholds even lower than 4 Oe can be programmed, although care must be taken to account for the earth’s magnetic field, which is typically on the order of 0.5 Oe.

The magnetic threshold is expressed as a percentage of the sensor’s range, and can be changed by writing to the appropriate address in the sensor’s nonvolatile memory. The magnetic hysteresis can also be set.

Typical thresholds for proximity sensing with the magnet included in the kit are shown in the following table:

Sensor	Parameter		Activation field	Nominal magnet distance
	Threshold	Hysteresis		
SM124	100%*	10%*	1 mT	12.5 mm
	50%	5%	0.5 mT	18 mm
	20%	2%	0.2 mT	24 mm
SM125	100%*	10%*	4 mT	8 mm
	50%	5%	2 mT	10 mm
	20%	2%	0.8 mT	14 mm

*Factory defaults

Table 1. Typical proximity-sensing settings.

4.2 Temperature Compensation

The sensor is factory calibrated and temperature compensated to accurately read magnetic field over temperature. The default reading is the temperature-compensated number. The uncompensated output can be read from a different address.

5. Current Sensing

SM12x sensors can measure the current through a circuit board trace by detecting the magnetic field generated by the current through the trace this application. The digital output can be used for current threshold detection or overcurrent protection.

The evaluation board includes a current-sensing trace:



Figure 5. Current trace (top view).

The board trace is on the top side of the circuit board for high current sensitivity, but traces can also be run on the bottom side of the PCB for higher currents. The magnetic field generated in either case can be approximated by Ampere’s law:

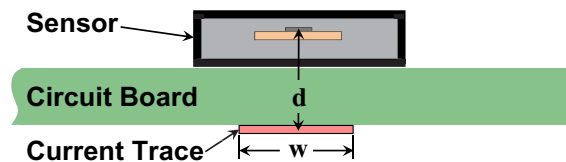


Figure 6. Current-sensing over a circuit board trace (side view).

$$H = \frac{2I}{d} \text{ [“H” in oersteds, “I” in amps, and “d” in millimeters]}$$

For the trace on the top of the circuit board, “d” is the distance from the bottom of the sensor package to the sensor element, which is 0.7 millimeters. The field is therefore approximately 3 Oe/A, and an SM124 sensor is linear to approximately 10 Oe or 3.5 A, and an SM125 sensor is linear to approximately 40 Oe or 14 A.

Typical parameters for overcurrent sensing are summarized in the following table:

Sensor	Parameter		Current Threshold	
	Threshold	Hysteresis	On	Off
SM124	100%	90%	3.5 A	0.35 A
	30%	27%	1 A	0.1 A
	15%	5%	0.5 A	0.35 A
SM125	71%	64%	10 A	1 A

Table 2. Typical overcurrent detection settings.

6. User Interface Software Installation

6.1 System Requirements

The software system requirements are:

- 64-bit Windows 7 or later
- USB 2.0 port

6.2 Software Installation

6.2.1. Click on the executable on the USB stick provided or download the software installation executable from <https://github.com/NveCorporation>.

6.2.2. Run the executable to install the User Interface and USB driver.

6.2.2. Click on the desktop shortcut to run the User Interface software.

7. User Interface Operation

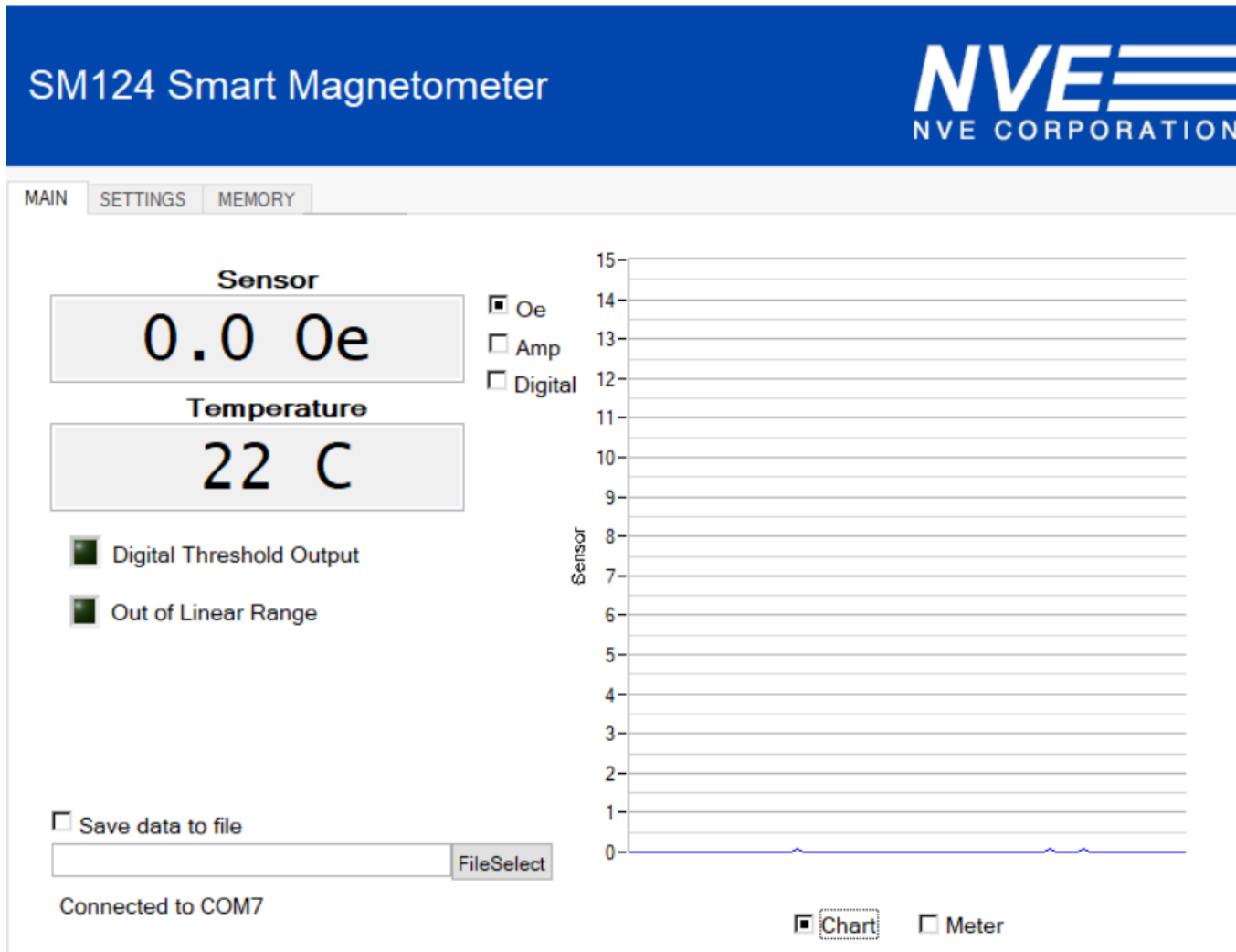
The User Interface allows reading sensor data, setting the digital output threshold, and reading and writing the nonvolatile sensor calibration constants.

After starting the application, a single window with three tabbed panels is displayed. The three tabs are:

1. Main – Displays measurement results in both digital and graphical formats.
2. Settings – A graphical interface to select either Simple Comparator or Window Comparator modes, and to set the digital output thresholds and hysteresis.
3. Memory – A table shows the sensor’s data and calibration constants. Parameters can be changed by double-clicking on the appropriate cell, typing in a new number, and hitting “Enter.”

The three tabs are described in detail in the following sections.

7.1. Main Tab



Main tab elements are described below:

Part Number – Displays the sensor part number, either SM124 or SM125 (the software automatically detects the sensor type).

Upper Digital Display – Displays the output of the device in either oersteds or amps. Double right-clicking on the display changes the precision.

Lower Digital Display – Displays the calibrated temperature from the sensor in degrees Celsius.

Oe – Sets upper display to oersteds.

Amp – Sets the upper display to amps.

Digital – Sets the upper and lower displays to either hexadecimal or decimal.

Chart – Displays a “strip chart” on right side of the tab showing the measurement on the y-axis. The chart is updated with each measurement.

Meter – Displays a virtual meter on the right side of the tab.

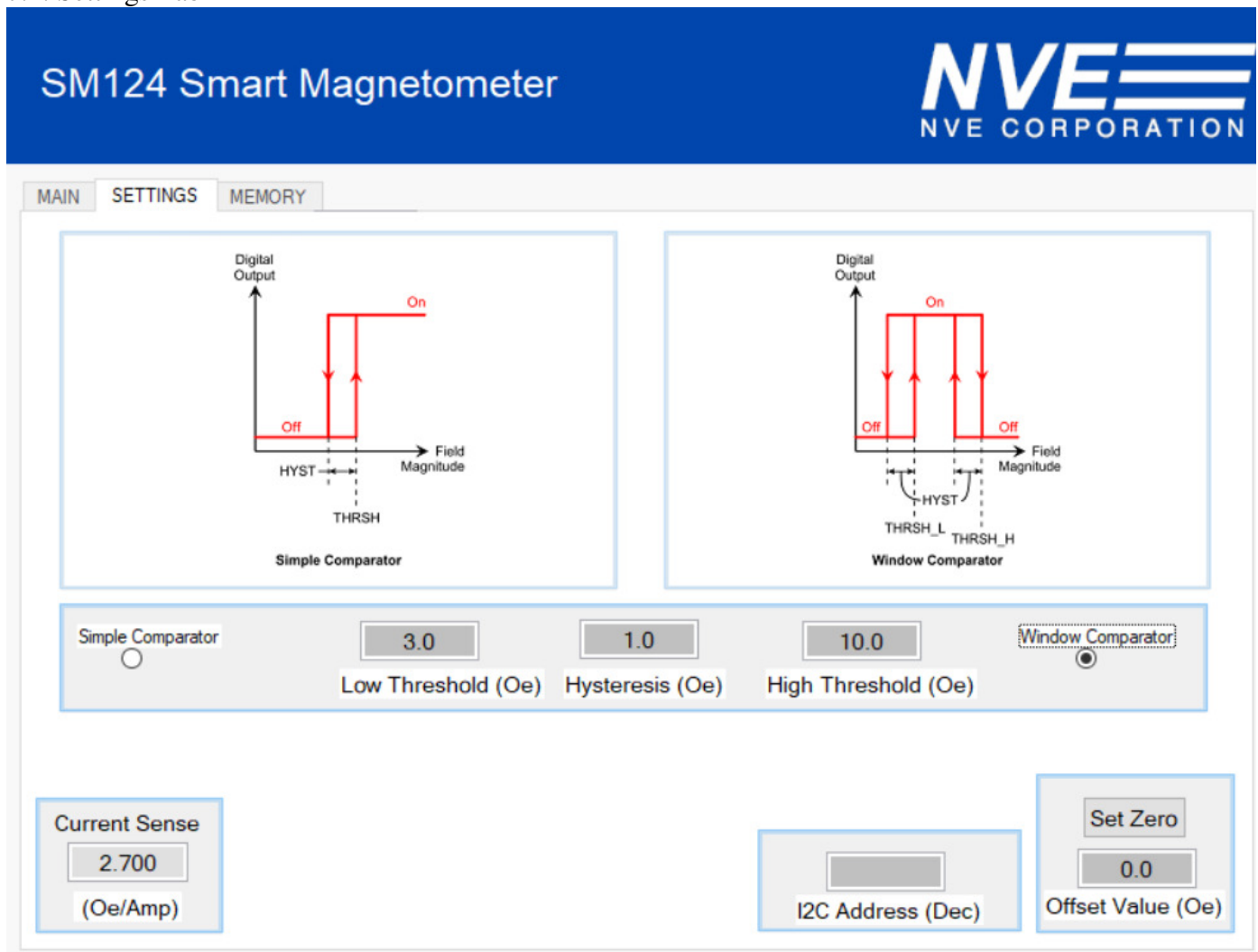
Save Data to File – Checking this box saves the datapoints to a file chosen under the *File Select* button.

File Select – Opens a pop-up window to select the data file.

Digital Threshold Output – A virtual LED turns on when the sensor reading is above the threshold. The threshold and hysteresis can be set in the Settings Tab.

Out of Linear Range – Indicates the magnetic field exceeds the sensor’s linear range of 1 mT / 10 Oe.

7.2. Settings Tab



SM124 Smart Magnetometer

MAIN SETTINGS MEMORY

Digital Output

Field Magnitude

Off On

HYST THRSH

Simple Comparator

Digital Output

Field Magnitude

Off On

HYST THRSH_L THRSH_H

Window Comparator

Simple Comparator

3.0 1.0 10.0

Low Threshold (Oe) Hysteresis (Oe) High Threshold (Oe)

Window Comparator

Current Sense

2.700

(Oe/Amp)

I2C Address (Dec)

Set Zero

0.0

Offset Value (Oe)

Set Sensor Offset – Sets the sensor offset, which is useful for zeroing out background magnetic fields.

Set Zero – Sets the sensor offset to the present sensor output.

Set THRESH or *THRESH-L* – Sets the sensor’s digital output (DOUT) “Low” threshold. In the default mode, this is the threshold where DOUT turns on.

Set THRESH-H – Sets the digital output “High” threshold. In Window Comparator mode, this is the threshold where DOUT turns off. This parameter is not used in the default comparator mode.

Set HYST – Sets the threshold differential; the digital output will switch at $Thresh - HYST$.

I2C Address – The sensor’s I²C slave address in decimal format.

7.3. Memory Tab

SM124 Smart Magnetometer

MAIN
SETTINGS
MEMORY

Address (Hex)	Name	Value (Hex)	Value (Dec)	Description
0	Sensor	0000	0	Sensor (calibrated) (% of 10 Oe /1 mT)
1	Sensor_Raw	0004	4	Sensor (uncalibrated)
2	Temp	0017	23	Temperature (°C)
3	DOUT	0000	0	Digital Output
4	I2CADDR	0048	72	I2C Address
20	Low Threshold	0032	50	Sensor low digital threshold (% of 10 Oe /1 mT)
21	High Threshold	0064	100	Sensor high digital threshold (% of 10 Oe /1 mT)
22	Hysteresis	000A	10	Magnetic threshold differential (% of 10 Oe /1 mT)
23	DOUT_Invert	0000	0	Digital output invert (High to invert DOUT)
24	Sensor_Offset	00FD	-3	Sensor offset (% of 10 Oe /1 mT)
25	Sensor_Sens	0064	100	Sensor sensitivity (% of spec)
26	Tempco	0064	100	Temperature coefficient of sensitivity (% of spec)
27	Temp_Offset	00FB	-5	Temperature sensor offset (°C)
28	Temp_Slope	0063	99	Temperature slope (Temp. cal. curve %)
29	m	0001	1	Digital filter constant (m=1 disables filter)
2A	I2C_Pullups	0001	1	Enable pull-ups (1=enabled, 0=disabled)
2B	Magnet_Comp	0000	0	0 = no compensation, 1 = ceramic magnet, 2 = NdFeB magnet

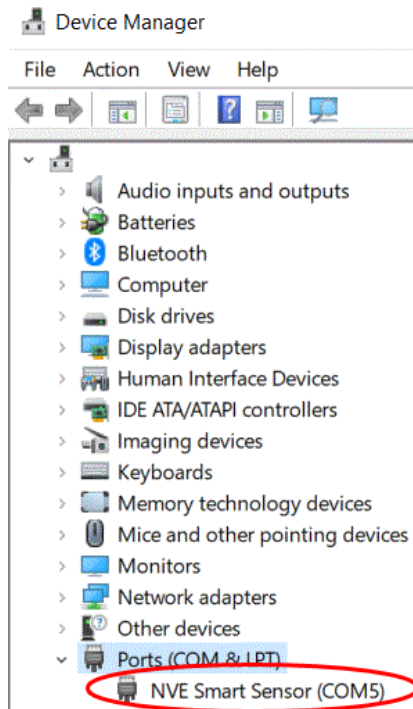
Notes:

- A second threshold for the optional window comparator function and related changes to the memory addresses was effective with sensor lot codes 1932xx and higher. For lot codes less than 1932xx, refer to Rev. D of this manual.
- Calibration constants are set at the factory and vary from part to part.
- The factory default for the digital filter constant in memory location 28 (hex) is “1” (disabled). For demonstration purposes, the user interface invokes a filter constant.

8. Troubleshooting

No communications

1. Check the USB cable.
2. Verify the USB port under Windows Device Manager:



3. Reinstall the USB driver.

9. Revision History

SB-00-076-H

January 2020

Changes

- Single-click user interface software installation

SB-00-076-G

November 2019

Changes

- Added SM125 (4 mT version).

SB-00-076-F

November 2019

Changes

- Added PWM output to board.
- Added crystal to schematic and BOM.
- Added sensor-to-microcontroller jumpers.
- Updated bypass capacitors.

SB-00-076-E

August 2019

Changes

- Added window comparator function to “Settings” and “Memory” tabs. The function is implemented in sensor lot codes 1932xx and higher (refer to Rev. D of this manual for lot codes less than 1932xx).
- Corrections to the Memory Tab memory table (p. 16).

SB-00-076-D

June 2019

Change

- Updated software installation instructions for simplified installation with a single executable.

SB-00-076-C

April 2019

Change

- Changed C1 (bypass capacitor) from 0.1 μ F to 1 μ F.

SB-00-076-B

February 2019

Change

- Simplified “Troubleshooting” section.

SB-00-076-A

December 2018

Change

- Initial Release

Datasheet Limitations

The information and data provided in datasheets shall define the specification of the product as agreed between NVE and its customer, unless NVE and customer have explicitly agreed otherwise in writing. All specifications are based on NVE test protocols. In no event however, shall an agreement be valid in which the NVE product is deemed to offer functions and qualities beyond those described in the datasheet.

Limited Warranty and Liability

Information in this document is believed to be accurate and reliable. However, NVE does not give any representations or warranties, expressed or implied, as to the accuracy or completeness of such information and shall have no liability for the consequences of use of such information.

In no event shall NVE be liable for any indirect, incidental, punitive, special or consequential damages (including, without limitation, lost profits, lost savings, business interruption, costs related to the removal or replacement of any products or rework charges) whether or not such damages are based on tort (including negligence), warranty, breach of contract or any other legal theory.

Right to Make Changes

NVE reserves the right to make changes to information published in this document including, without limitation, specifications and product descriptions at any time and without notice. This document supersedes and replaces all information supplied prior to its publication.

Use in Life-Critical or Safety-Critical Applications

Unless NVE and a customer explicitly agree otherwise in writing, NVE products are not designed, authorized or warranted to be suitable for use in life support, life-critical or safety-critical devices or equipment. NVE accepts no liability for inclusion or use of NVE products in such applications and such inclusion or use is at the customer's own risk. Should the customer use NVE products for such application whether authorized by NVE or not, the customer shall indemnify and hold NVE harmless against all claims and damages.

Applications

Applications described in this datasheet are illustrative only. NVE makes no representation or warranty that such applications will be suitable for the specified use without further testing or modification.

Customers are responsible for the design and operation of their applications and products using NVE products, and NVE accepts no liability for any assistance with applications or customer product design. It is customer's sole responsibility to determine whether the NVE product is suitable and fit for the customer's applications and products planned, as well as for the planned application and use of customer's third party customers. Customers should provide appropriate design and operating safeguards to minimize the risks associated with their applications and products.

NVE does not accept any liability related to any default, damage, costs or problem which is based on any weakness or default in the customer's applications or products, or the application or use by customer's third party customers. The customer is responsible for all necessary testing for the customer's applications and products using NVE products in order to avoid a default of the applications and the products or of the application or use by customer's third party customers. NVE accepts no liability in this respect.

Limiting Values

Stress above one or more limiting values (as defined in the Absolute Maximum Ratings System of IEC 60134) will cause permanent damage to the device. Limiting values are stress ratings only and operation of the device at these or any other conditions above those given in the recommended operating conditions of the datasheet is not warranted. Constant or repeated exposure to limiting values will permanently and irreversibly affect the quality and reliability of the device.

Terms and Conditions of Sale

In case an individual agreement is concluded only the terms and conditions of the respective agreement shall apply. NVE hereby expressly objects to applying the customer's general terms and conditions with regard to the purchase of NVE products by customer.

No Offer to Sell or License

Nothing in this document may be interpreted or construed as an offer to sell products that is open for acceptance or the grant, conveyance or implication of any license under any copyrights, patents or other industrial or intellectual property rights.

Export Control

This document as well as the items described herein may be subject to export control regulations. Export might require a prior authorization from national authorities.

Automotive Qualified Products

Unless the datasheet expressly states that a specific NVE product is automotive qualified, the product is not suitable for automotive use. It is neither qualified nor tested in accordance with automotive testing or application requirements. NVE accepts no liability for inclusion or use of non-automotive qualified products in automotive equipment or applications.

In the event that customer uses the product for design-in and use in automotive applications to automotive specifications and standards, customer (a) shall use the product without NVE's warranty of the product for such automotive applications, use and specifications, and (b) whenever customer uses the product for automotive applications beyond NVE's specifications such use shall be solely at customer's own risk, and (c) customer fully indemnifies NVE for any liability, damages or failed product claims resulting from customer design and use of the product for automotive applications beyond NVE's standard warranty and NVE's product specifications.

An ISO 9001 Certified Company

NVE Corporation
11409 Valley View Road
Eden Prairie, MN 55344-3617 USA
Telephone: (952) 829-9217
www.nve.com
e-mail: sensor-info@nve.com

Ihr Vertriebspartner:



HY-LINE Power Components
Vertriebs GmbH
Inselkammerstr. 10
D-82008 Unterhaching
☎ +49 89/ 614 503 -10
power@hy-line.de

HY-LINE AG
Hochstrasse 355
CH-8200 Schaffhausen
☎ +41 52 647 42 00
info@hy-line.ch

©NVE Corporation

All rights are reserved. Reproduction in whole or in part is prohibited without the prior written consent of the copyright owner.

SB-00-076—AG952 Evaluation Kit Manual

January 2020