



The Digital to Analog Audio Converter is an easy to use product that converts Coaxial or Optical audio signals into analog Stereo (L/R) audio. It can be easily switched between either Coaxial or Optical inputs. With its compact, elegant design and simple LED input status make it easier for users to connect up and use instantly.

### PANELS

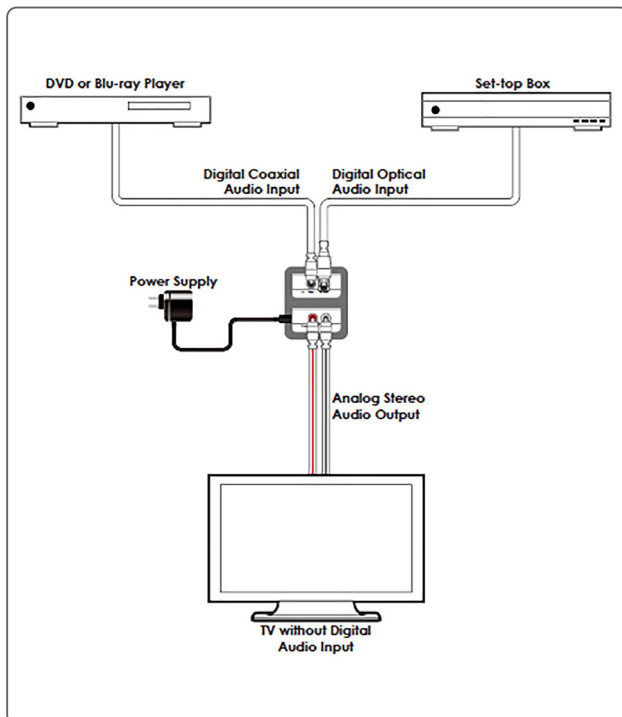


Front View



Rear View

### DIAGRAM



### FEATURES

- Supports digital audio input (Coaxial/Optical) and stereo analog audio output (L/R)
- Integrated digital interpolator filter and Digital to Analog Converter (DAC)
- Supports uncompressed digital stereo audio input
- Supports S/PDIF audio at 192kHz/24-bit data for conversion to left and right analog channels
- Compact size and easy to install

### SPECIFICATIONS

#### Interfaces

**Input Port** 1×TOSLINK (S/PDIF Audio)  
1×RCA (S/PDIF Audio)

**Output Port** 2×RCA (Stereo Audio)

#### Power

**Power Supply** 5V/1.2A DC

**Power Consumption** 0.74W

#### Enclosure

**Chassis Material** Plastic

**Chassis Color** White

**Dimensions (W×H×D)** 46mm×22.5mm×45.5mm [Case Only]  
56mm×22.5mm×46mm [All Inclusive]

**Weight** 30g

### ORDERING INFORMATION

Model No. Product Description

**DCT-3AN** Digital to Analog Audio Converter